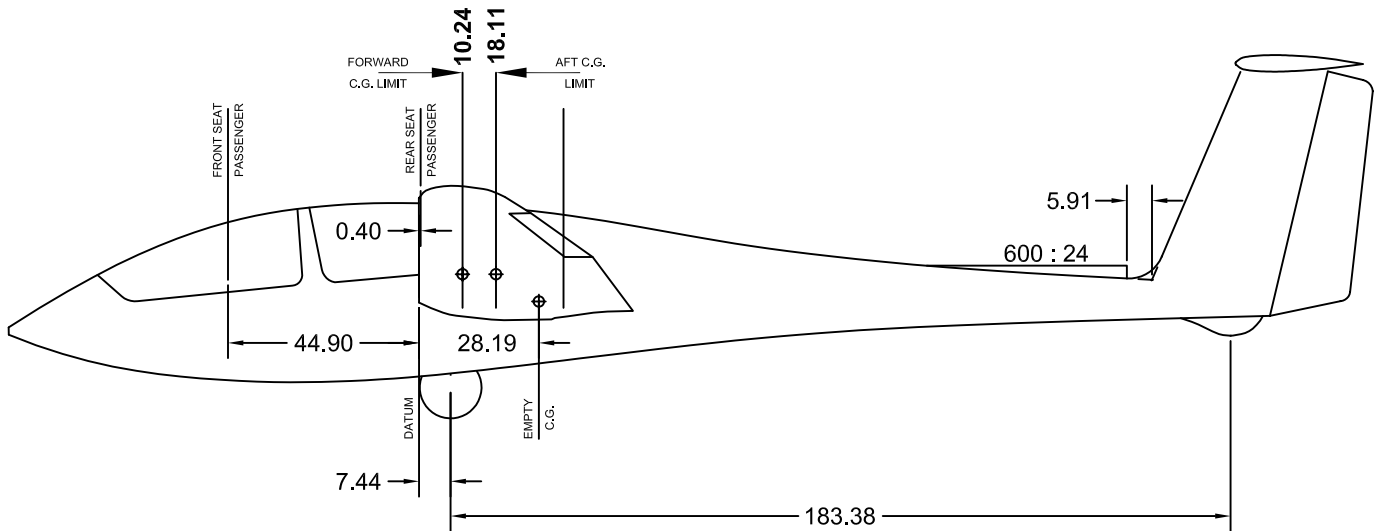


# GROB 103 TWIN ASTIR N158SS

## Weight and Balance



MAXIMUM GROSS WEIGHT 1435 lbs  
 USEFUL LOAD 472 lbs  
 MIN FRONT PILOT WEIGHT 162 lbs (SOLO)

	WEIGHT (lb)	x	ARM (in)	=	MOMENT
Sailplane Empty Weight	963		28.19		27146.97 in - lb
Front Pilot	_____		-44.90		_____
Rear Pilot	_____		.40		_____
Baggage (22 lb MAX)	_____		14.00		_____
<b>Total Weight</b>	_____			<b>Total Moment</b>	_____

$$\frac{\text{Total Moment}}{\text{Total Weight}} = \text{_____} = \text{_____} \text{ Actual Flying CG}$$

Does actual CG fall within the range of 10.24 to 18.11?

Is total weight less than 1,435 lbs?

**Pilots' weights mst also fall within min/max set weights  
(Front seat: min. 160/max. 242: Back seat: max. 240)**

# HAPPY FLYING