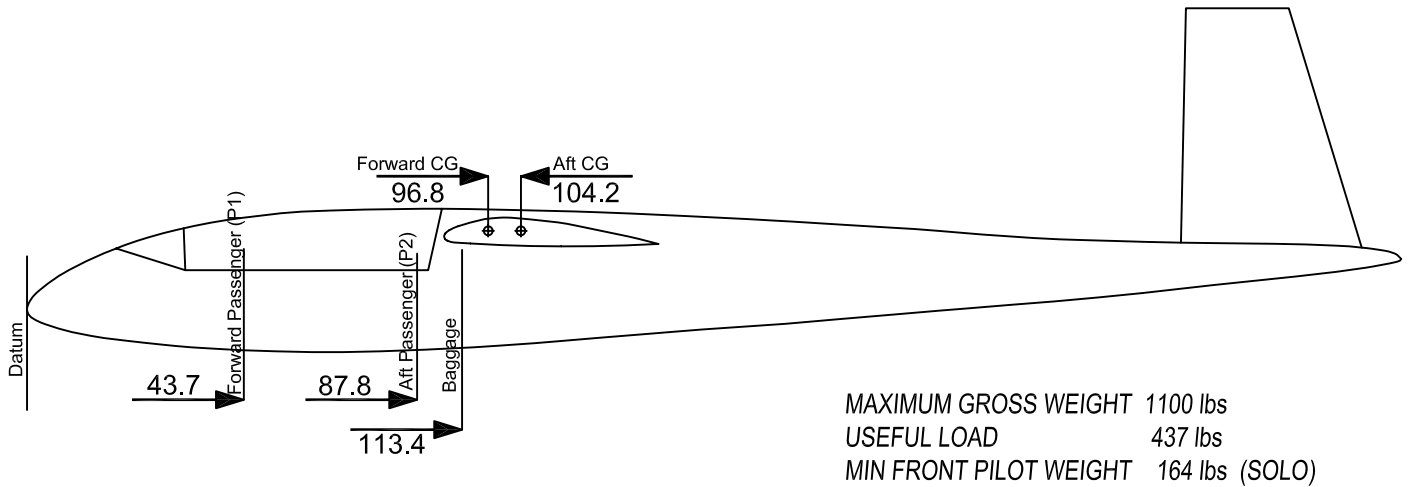


# BLANIK L-13 N25BS

## Weight and Balance



	WEIGHT (lb)	x	ARM (in)	=	MOMENT
Sailplane Empty Weight	662.71		119.09		78992.13 in-lb
Front Pilot	_____		43.7		_____
Rear Pilot	_____		87.8		_____
Baggage	_____		113.4		_____
Total Weight	_____			Total Moment	_____

$$\frac{\text{Total Moment}}{\text{Total Weight}} = \text{_____} = \text{_____} \text{ Actual Flying CG}$$

Does actual CG fall within the range of 96.8 to 104.2?

Is total weight less than 1,100 lbs?

# HAPPY FLYING